

## L-Series 3RU Fixed Housing



### Description

The L-Series 3RU Housing is a 19-inch rack-mountable housing with an adjustable rear cable manager. It can accept up to 14 L-Series MPO or splice cassettes giving a maximum density of 336f/168 ports when using an LC presentation. This flexible, multi-functional solution gives easy access during installation and MAC's (moves and changes) without disturbing existing cable or fibers. In addition to an array of adapters, the housing also supports multiple cable entry solutions:

- MPO trunk cables connected to 14 individual L-Series 12f/24f MPO cassettes
- Loose tube and/or tight buffered cable connected to 14 individual extended L-Series cassettes to provide splice capability
- 14 L-Series adapter plates for use with pre-terminated assemblies

The versatility of the L-Series 3RU Housing makes it one of the most flexible solutions on the market. The AFL Hyperscale L-Series is compatible with the industry-standard LGX format.

### Features and Benefits

- Up to 14 x 24f L-Series cassettes with multiple adapter options available for a maximum density of 336f/168 ports when using an LC presentation
- Fits standard 19" rack

- Fully integrated fiber management, rear cable management bar as standard
- Accepts loose tube, distribution, and MPO trunk cables
- Splicing option available
- Materials are RoHS, REACH, and SVHC compliant
- 30mm bend radius maintained throughout
- Individually labeled ports
- Patch cord exit retrofit cable management available

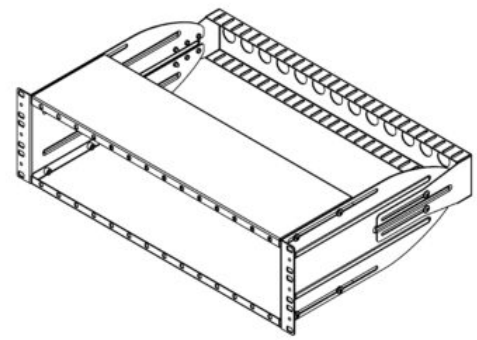
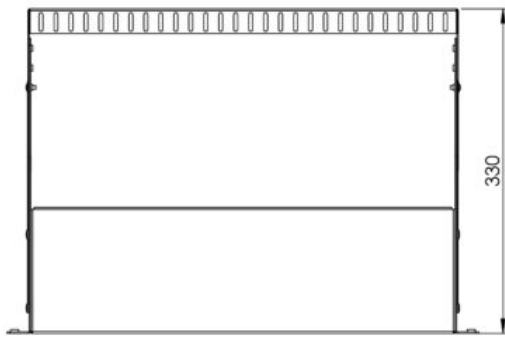
## Applications

- Data centers, premise installations, telecommunications networks
- Indoor applications
- Ethernet, fiber channel, ATM, LAN, MAN, and WAN

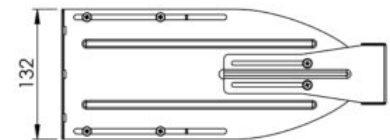
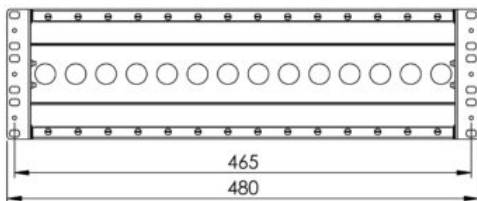
## Specifications

ELEMENT	CHARACTERISTIC
Height	133.2mm
Width	480mm
Depth	335mm
Net weight	2.76kgs
Packaged weight	3.24kgs
Packaged dimensions	490mm (W) x 110mm (H) x 240mm (D)
IP rating	N/A
Suitable for adapter type	L-Series Cassettes
Number of cassette positions	14
Mounting adjustment range	64mm
Material	Cold rolled steel
Material thickness	1.5mm
Material coating	Powder
Color	Black
Operating temperature	-40°C to +60°C
Designed in accordance with	TIA/EIA 568.C, ISO/IEC 11801, EN50173, IEC60304, IEC61754,
Materials compliant to	RoHS, Reach, SVHC

## Technical Drawing



Isometric View



## Ordering Information

PART NUMBER	DESCRIPTION	LEGACY PART NUMBER
FXLBXXDXXX-01XX	AFL Hyperscale L-Series LGX Chassis 3RU Panel for 14 LGX Cassettes UNLOADED Black	LGXCHASSIS

## Regional Availability

### USA

+1-866-814-8615  
usasales@afllhyperscale.com

### EMEA

+44 1908 441 144  
emeasales@afllhyperscale.com

### INDIA

+91 80 46874687  
indiasales@afllhyperscale.com

### APAC

(excluding India)  
+86 755 2561 3694  
apacsales@afllhyperscale.com

## Additional Images



## Related Products

