



PM7300-T0

XGS-PON SFU with 10GbE LAN

The Zyxel PM7300-T0 XGS-PON SFU features one XGS-PON uplink and one 10GbE LAN downlink interface. This allows service providers to deliver 10/10G symmetric bandwidth without altering existing fiber networks.

Benefits

Smooth migration to next-gen XGS-GPON network

The Zyxel PM7300-T0 serves as a managed bridge that enables service providers to deliver symmetric 10/10G data access to subscribers, allowing seamless, smooth network upgrade from existing GPON to XGS-PON.

Protect your investment while upgrading service

Thanks to its interoperability, the PM7300-T0 can connect to any layer-3 device, including routers, WiFi APs, and home gateways. Keeping pace with the rapid evolution of WLAN technology and gateway interface requirements, service providers can deliver premium services through cutting-edge technology without altering the entire fiber network infrastructure.

Comprehensive QoS for superior network efficiency

Based on your service offerings to customers, you can freely define QoS policies and prioritize mission-critical traffic. Defining QoS will improve your customer's network efficiency and give them the super-fast multi-play service quality they want.



Integrated internet services through 10G fiber



Compact design for flexible deployment



Remote management via TR-069 and OMCI



Zyxel-developed OPAL for superior flexibility and faster time to market



Comprehensive QoS for network efficiency

TR-069 remote management for lower OPEX

Supporting TR-069 remote management specifications, the PM7300-T0 enables service providers to process remote configuration, upgrade software, run diagnostics, and provide management — all from customer support offices located anywhere. This greatly reduces service expenses while enhancing customer satisfaction.

Zyxel OPAL firmware delivers flexibility and faster time to market

Compliant with the same OPAL firmware trunk applied to all Zyxel CPE, the PM7300-T0 inherits a field-proven feature set that includes TR-069 and more. Service providers can ensure the same user experience when migrating to new devices.

Specifications

System specifications

XGS-PON compliance

- Comply with ITU-T G.9807.1
- DS/US speed: 9.95328/9.95328 Gbps
- Wavelength: 1577 nm (DS) & 1270 nm (US)
- Comply with class B+ type PMD
- Physical distance reach to 20 km
- Dynamic Bandwidth Allocation (DBA)
- Configurable AES DS and FEC DS/US
- GPON Encapsulation Method (GEM) supports Ethernet packet
- Supports GEM header removal/insertion and data extraction/segmentation (GEM SAR)
- Supports up to 32 T-CONs each with priority queues (US); Supports up to 256GEM ports
- Flexible mapping between T-CONT and GEM port

Layer 2 networking features

- MAC filtering
- Multicast transparent
- IPv6 address transparent

Multicast

- IGMP v1/v2/v3 snooping
- IPv6 MLD v1/v2 snooping

Feature capability

- VLAN IEEE 802.1Q
- Ethernet port based VLAN tag and untag
- Supports protocol based VLAN
- 1:1 VLAN, N:1 VLAN, VLAN transparent bridge
- LAN port-based VLAN tag add and tag removal
- Q in Q VLAN
- Supports at most 64 concurrent configurable VLANs with VLAN ID between 1 and 4095
- Supports up to 2K MAC address entries

QoS

- Traffic classification and tagging via DSCP/VLAN/802.1P-bit
- Gem port rate limitation for US/DS traffic
- Per-port QoS and CoS mapping according to IEEE 802.1q and IEEE 802.1p priority
- SP/WRR/SP+WRR

Security

- MAC filtering

Management

- Standard OMCI (ITU-T G.988)
- Telnet (CLI)
- Web GUI (HTTP/HTTPS)

Hardware specifications

- WAN: One XGS-PON uplink with SC/APC connector
- LAN: One five-speed 100M/1G/2.5G/5G/10 Gbps RJ45 port
- Reset: one reset/restore factory default button
- Power switch: one push type button
- LEDs indicators:
 - Power
 - PON
 - LOS
 - LAN
- Power supply: 12 V DC/1A

Power consumption

- 12 Watt max

Physical specifications

- Item dimensions (WxDxH):
130 x 120 x 42 mm
(5.12" x 4.72" x 1.65")
- Item weight: 198 g (0.44 lb.)
- Packing dimensions (WxDxH):
264 x 142 x 43mm
(10.39" x 5.59" x 1.69")
- Packing weight: 463 g (1.02 lb.)

Environmental specifications

Operating environment

- Temperature:
0°C to 40°C (32°F to 104°F)
- Humidity:
10% to 90% RH (non-condensing)

Storage environment

- Temperature:
-30°C to 70°C (-22°F to 158°F)
- Humidity:
10% to 95% RH (non-condensing)

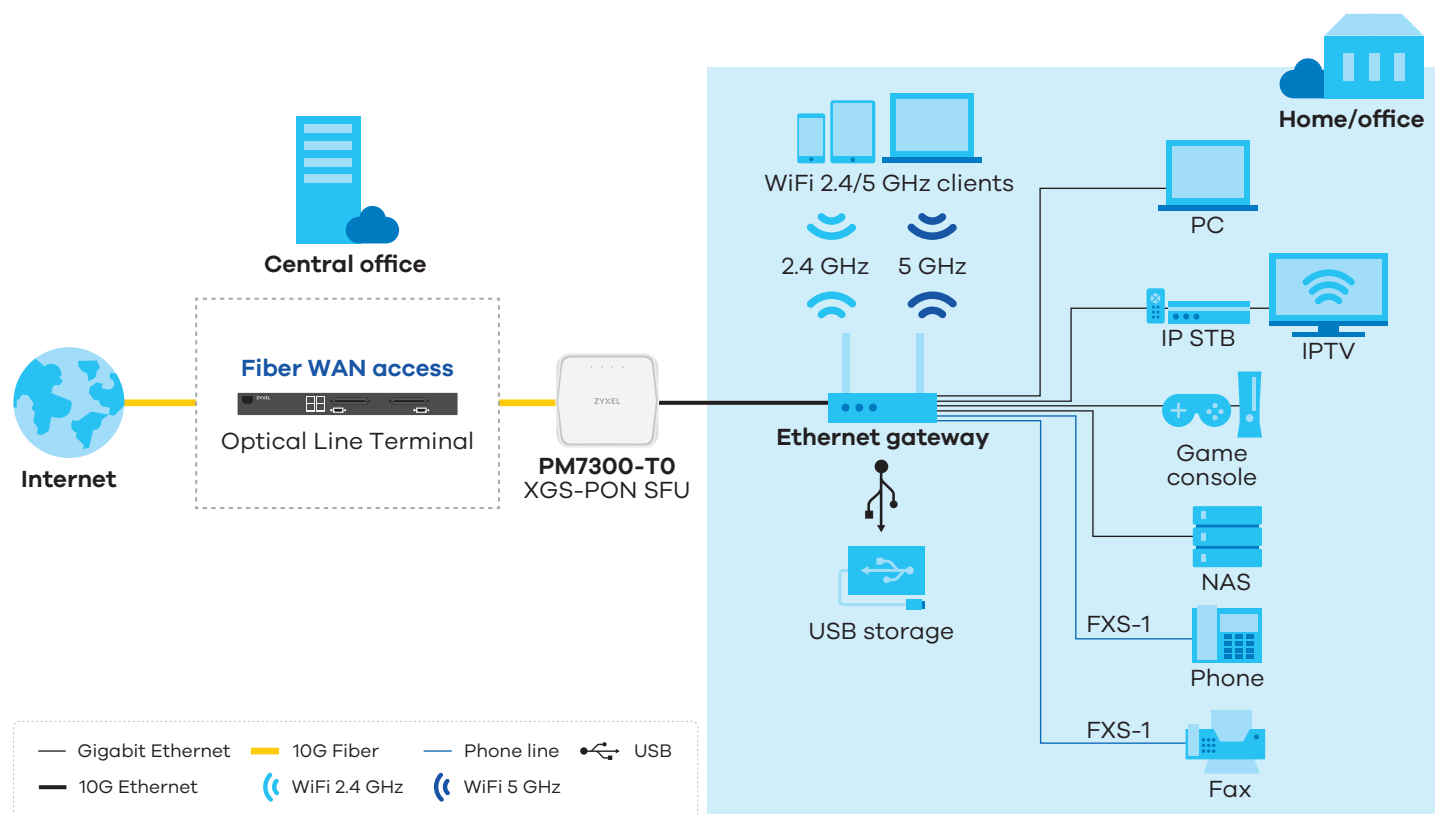
Certification

- EMC: CE
- Safety: CE LVD
- Energy saving: ErP

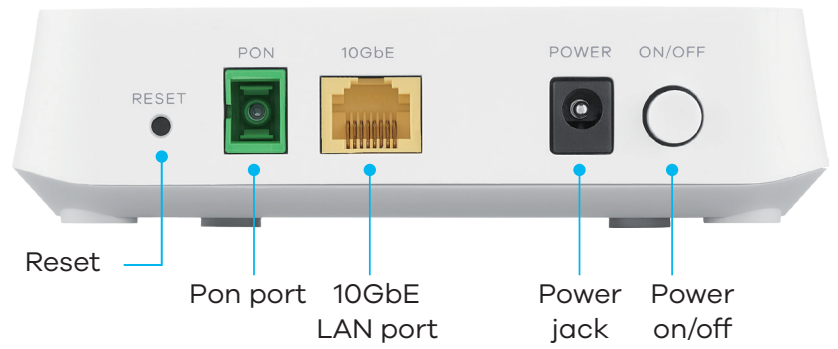
Package contents

- Device
- Power adaptor
- Ethernet cable
- Safety warning & DoC letter
- Quick Start Guide

Application diagram



Hardware description



For more product information, visit us on the web at <https://service-provider.zyxel.com>

Copyright © 2021 Zyxel and/or its affiliates. All rights reserved.
All specifications are subject to change without notice.



Datasheet [PM7300-T0](#)



12/11/21