

VIEW5 PRO

BELIEVE YOUR EYES

SMART CORE ALIGNMENT FUSION SPLICER W/ A CLOUD-BASED OPERATION & MANAGEMENT SYSTEM

- Built-in IoT Module for Mobile Data Communication
- Web-based, Real-time Operation System
- Core Alignment Splicing with DACAS Profiling System
- The Highest Magnification and Resolution
- 5" Color LCD Touch Screen
- Double Tapping (Zoom in & Out)
- Fast Heating Time
- Detachable SOC Holder and Heating Oven
- 3 Bright LEDs for Dark Environment
- User Friendliest Interface with Built-in Videos



CLOUD MANAGEMENT SYSTEM FEATURES



REAL-TIME TRACKING



REPORT & DATA MANAGEMENT



JOB & WORK MANAGEMENT



DEVICE MANAGEMENT



You dream,
we **DESIGN**

DESCRIPTION

VIEW5 PRO, a core-alignment splicer with the world's highest fiber image magnification rate, is the most proficient fusion splicer in the market. VIEW5 PRO's 5 inch high-resolution color LCD touch screen with user-friendly intuitive GUI (Graphic User Interface) offers large and clear fiber images to users. By double-tapping the screen, users can Zoom In & Out the image to the world's highest magnification of 520x.

The fusion splicer is equipped with built-in IoT module that connects to the INNO's View Pro Cloud Management System for real-time operation and management online. This innovative cloud-based solution is designed to create the most advanced and yet most uncomplicated splicing and work experiences ever.

View Pro Cloud Management System

View Pro Management System is an integrated cloud-based software platform for INNO's splicers. This innovative web-based application allows both technicians and managers of the splicers to maximize the use of its assets and to achieve the highest work efficiency. Real-time communications with tiered access rights and options to manage job orders, manage splicing machines, and send/receive reports are only a small part of the innovative work processes offered by the View Pro.



INNO's PRO Series Splicers

INNO iCloud Server

Log in to the View Pro Management System via the web to access and manage splicers

FEATURES



viewPro
Real-Time Tracking



viewPro
Report & Data Management



viewPro
Device Management



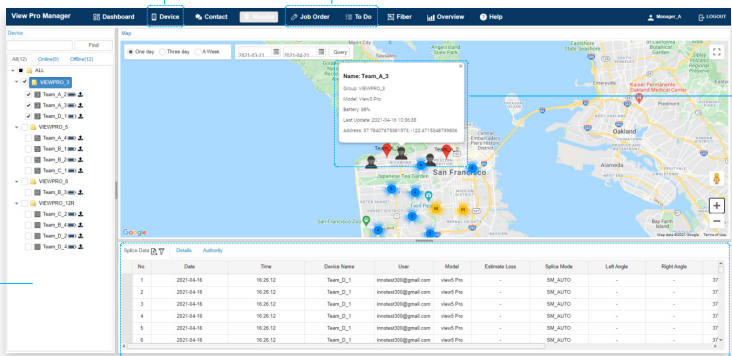
viewPro
Job & Work Management

DASHBOARD

Device Management
Manage splicers' maintenance & service needs such as SW update, calibration, spare parts

Job/Work Management
Share and manage job/work to maximize efficiency and productivity

Device Information
Device real-time location and information



Web/Cloud-Based Service
Accessible via PC with tiered access rights and authorities

Real-time, Seamless Reporting
Splice results, locations, reports, and other data can be retrieved instantaneously

| No. | Date | Time | Device Name | User | Model | Estimate Loss | Splice Mode | Left Angle | Right Angle |
|-----|------------|----------|-------------|---------------------|---------|---------------|-------------|------------|-------------|
| 1 | 2021-04-15 | 16:26:12 | Team_0_1 | innosw500@gmail.com | viewPro | - | SM_AUTO | - | 37° |
| 2 | 2021-04-15 | 16:26:12 | Team_0_1 | innosw500@gmail.com | viewPro | - | SM_AUTO | - | 37° |
| 3 | 2021-04-15 | 16:26:12 | Team_0_1 | innosw500@gmail.com | viewPro | - | SM_AUTO | - | 37° |
| 4 | 2021-04-15 | 16:26:12 | Team_0_1 | innosw500@gmail.com | viewPro | - | SM_AUTO | - | 37° |
| 5 | 2021-04-15 | 16:26:12 | Team_0_1 | innosw500@gmail.com | viewPro | - | SM_AUTO | - | 37° |
| 6 | 2021-04-15 | 16:26:12 | Team_0_1 | innosw500@gmail.com | viewPro | - | SM_AUTO | - | 37° |

TECHNICAL SPECIFICATIONS

General Specifications

| Items | Specifications |
|--------------------------------------|---|
| Model | VIEW5 PRO |
| Alignment Method | Core alignment |
| Number of fiber | Single |
| Applicable fibers | SM (ITU-T G.652&G.657) / MM (ITU-T G.651) / DS (ITU-T G.653) / NZDS (ITU-T G.655) |
| Cladding Diameter / Coating Diameter | 100μm ~ 125μm / 200μm ~ 3mm |
| Cleaved Length | 5 ~ 16mm |
| Typical Splice Loss*1 | SM: 0.02dB / MM: 0.01dB / DS: 0.03dB / NZDS: 0.03dB / G.657: 0.02dB |
| Return Loss | >> 60dB |
| Estimated Splice Loss | Available |
| Splice Time*2 | Quick mode : 7 sec (Avg.) / SM Auto mode : 9 sec (Avg.) |
| Splice Mode | Max 128 modes |
| Heating Sleeve | 20 ~ 60mm |
| Heating Time*3 | 13 sec (45mm, slim 60mm) , 15 sec (60mm) |
| Heating Mode | Max 32 modes |
| Tension Test | 1.96 ~ 2.25N |
| Dimension | 149W x 177D x 151H mm (with rubber bumper) 130W x 166D x 140H mm (without rubber bumper) |
| Weight | 2.21kg (with battery) / 1.85kg (without battery) |
| White LED | 3 White LEDs |
| Monitor | 5.0" Color LCD display, Full touch screen |
| Fiber View | X, Y, XY, X/Y |
| Magnification | 320 ~ 520x |
| Results Storage | 10,000 Splice data / 10,000 Splice image |
| Power Supply | AC Input 100 ~ 240V, DC Input 9 ~ 14V |
| Terminal | USB Type C / Nano SIM |
| Battery Capacity*4 | LBT-52, Typical usage: 200 cycles / Power save usage : 250 cycles |
| Electrode Life*5 | 5500 arcs discharges |
| GPS | Available |

Environmental Condition

| Items | Specifications |
|---------------------|--|
| Operating Condition | Altitude: 0 ~ 5000m Humidity: 0 ~ 95%, non-dew Temperature: -10 ~ 50 °C Wind: up to 15m/sec |
| Storage Condition | Humidity: 0 ~ 95%, non-dew Temperature: -40 ~ 80 °C |

Environmental Test

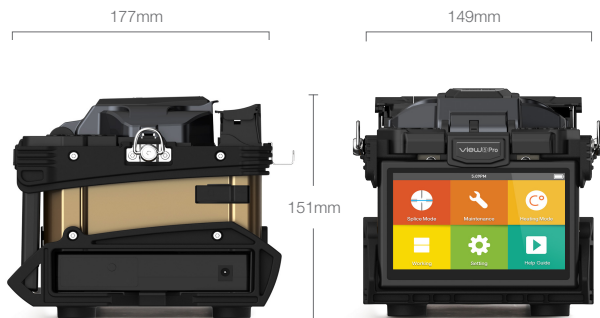
| Items | Specifications |
|------------------|----------------|
| Water Resistance | IPx2 |
| Shock Resistance | Drop from 76cm |
| Dust Resistance | IP5X |



Notes

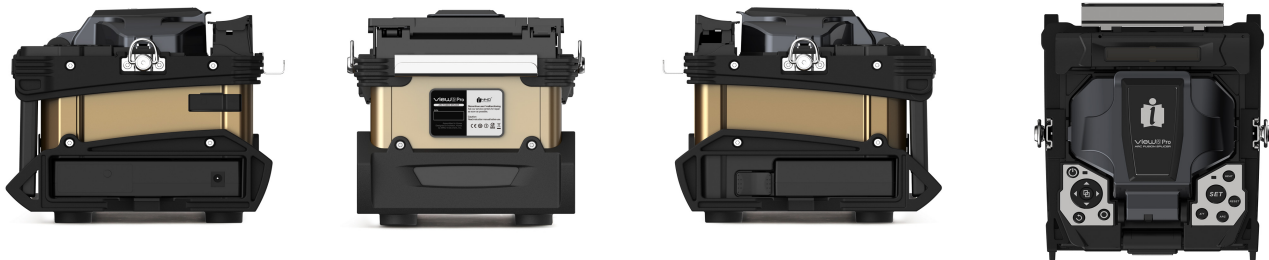
- * 1: Measured by cut-back method relevant to ITU-T and IEC standards.
- * 2: Measured at room temperature. Splice time may vary depending on the environmental conditions, fiber type, and fiber characteristics.
- * 3: Measured at room temperature. Heating time changes depending on the environmental conditions, sleeve type and battery pack condition.
- * 4: Test condition
 - (1) Splice and heat time : 2 minutes cycle ; (2) Using full charged battery ; (3) At room temperature.
 - Splice & Heat cycle can be varied depending on the battery status and operation and environment condition.
- * 5: The electrode life changes depending on the environmental conditions, fiber type and splice modes.

WEIGHT AND DIMENSIONS



Height: 5.95 inches (151 mm)
 Width: 5.87 inches (149 mm)
 Depth: 6.97 inches (177 mm)
 Weight: 4.08 pounds (1.85 kg without battery)

Detailed View



PACKAGE

Standard Package

| Model / Part No. | Description | |
|------------------|------------------------|------|
| | Main Unit | |
| VIEW5 PRO | Fusion Splicer | |
| | Standard Accessories | |
| V11 | Cleaver | 1ea |
| FH-45 | Fiber Holder | 1set |
| FH-SOC-R | SOC Holder | 1ea |
| HTS-SOC-02 | SOC Heater Cover | 1ea |
| JS-180300 | AC Adapter | 1ea |
| CG-22 | Cooling Tray | 1ea |
| E-70 | Electrode | 1set |
| LBT-52 | Battery Pack | 1ea |
| ACC-25 | Power Cable | 1ea |
| USB-7P | USB Cable | 1ea |
| ICC-55 | Carrying Case | 1ea |
| IWS-06 | Work Tray | 1ea |
| WTB-01 | Work Tray Bolt (M6*8) | 1ea |
| WTB-02 | Work Tray Bolt (M6*14) | 1ea |
| ST-01 | Shoulder Strap | 2ea |
| Quick Reference | | 1ea |

* USB-7P: Type-C USB to Type-A USB (Male & Female) Cable.

Optional Accessories

| Model / Part No. | Description | |
|------------------|-------------------------|--------------|
| TK02-AP01 | Alcohol pump | 1ea |
| TK02-MP01 | Stripper | 1ea |
| CJ-11 | Cigarette Lighter Cable | 1ea |
| EG-18 | Electrode Grinder | 1ea |
| PS-60S | Heating sleeve(60mm) | 1pack(100ea) |

VIEW PRO MANAGEMENT SYSTEM

| Items | Specifications |
|----------|--|
| Web Site | www.inno-viewpro.com |

QR Code

