

AM-3RU Sliding Patch Panel



L-Series AM3RU Sliding Patch Panel

Before installing or adjusting this product, please read these instructions carefully. Please keep this guide for future reference.

Safety Precautions



General Precautions

Personnel must be thoroughly familiarized with all applicable Occupational Health and Safety (OH&S) regulations, local regulations, and your company safety practices and policies.

Warning: To reduce the chance of accidental injury:

Before work begins, all personnel must be thoroughly familiar with the operation of all equipment and procedures to be used during the installation.

Before use, all equipment, especially safety gear, must be inspected and tested for proper operation. Replace and repair as necessary.



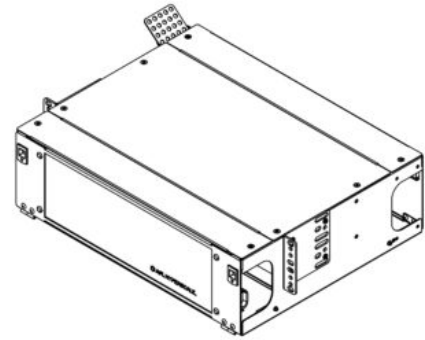
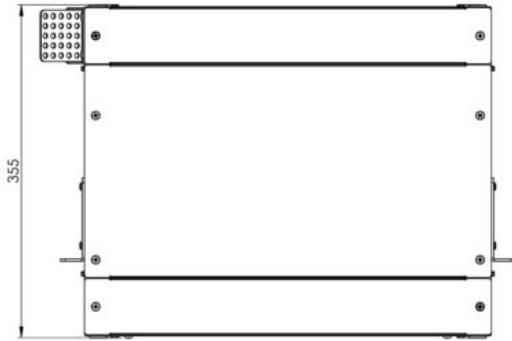
Laser Precautions

Warning: The laser light used to transmit information over optical fiber cables can cause severe eye damage. Because this light is invisible, it will not cause the iris of the eye to contract involuntarily as when viewing a bright visible light, and no pain is felt as the retina is burned.

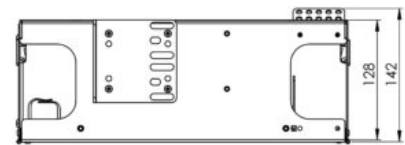
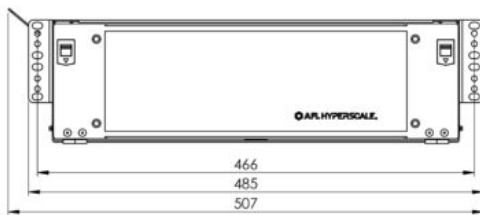
Never look into the end of a fiber or connector which may have a laser coupled to it. Should accidental eye exposure to laser light be suspected, arrange for an eye examination immediately.

Component Overview

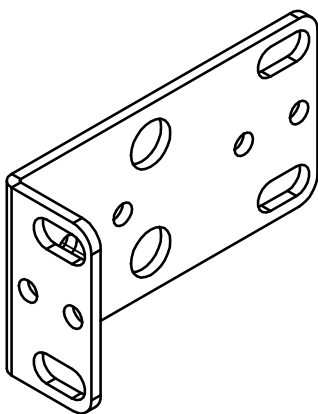
L-Series AM-3RU Sliding Patch Panel



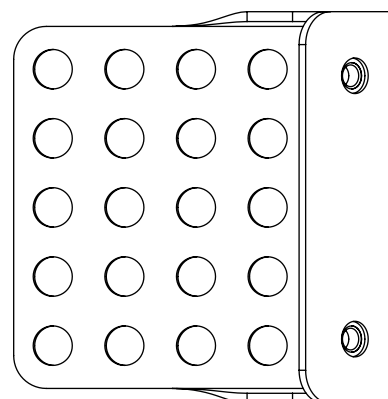
Isometric View



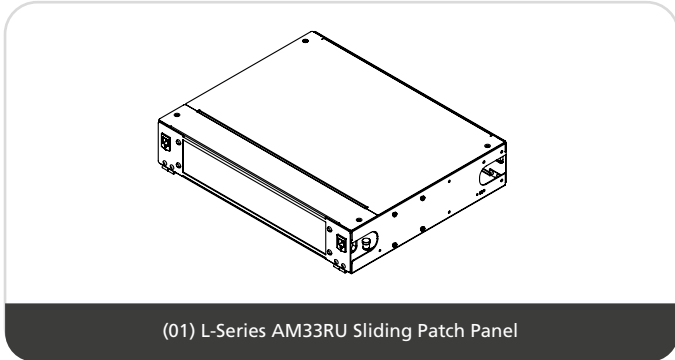
Mounting Bracket



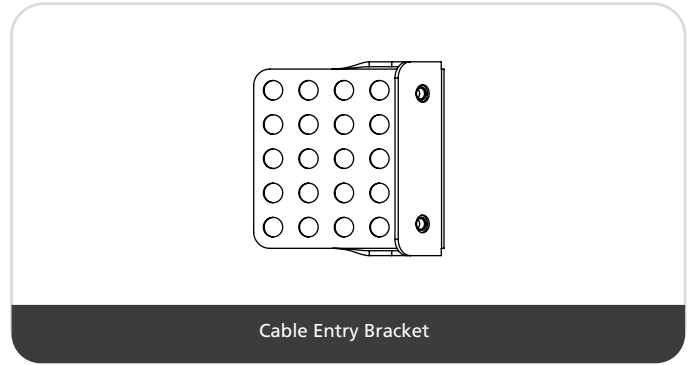
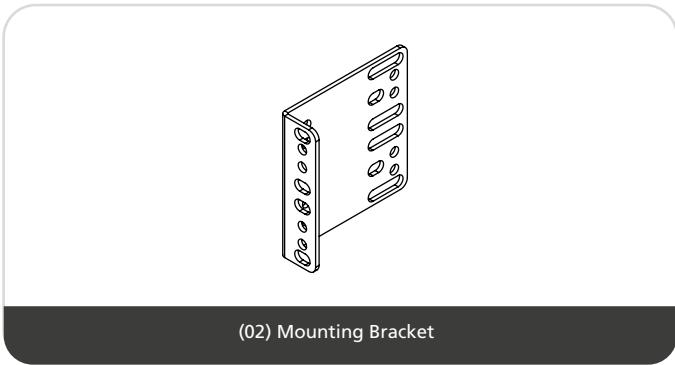
Cable Entry Bracket



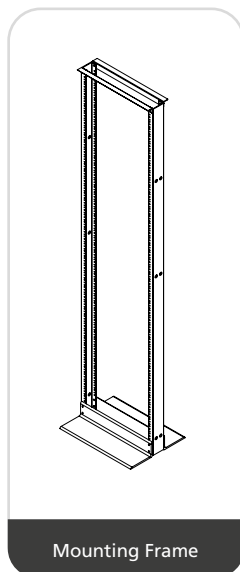
In the Box



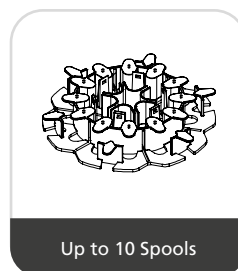
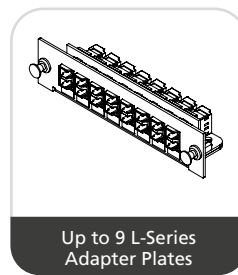
Item Number	Item	Qty
01	L-Series AM33RU Sliding Patch Panel	1
02	Mounting Bracket	2
03	Cable Entry Bracket	1



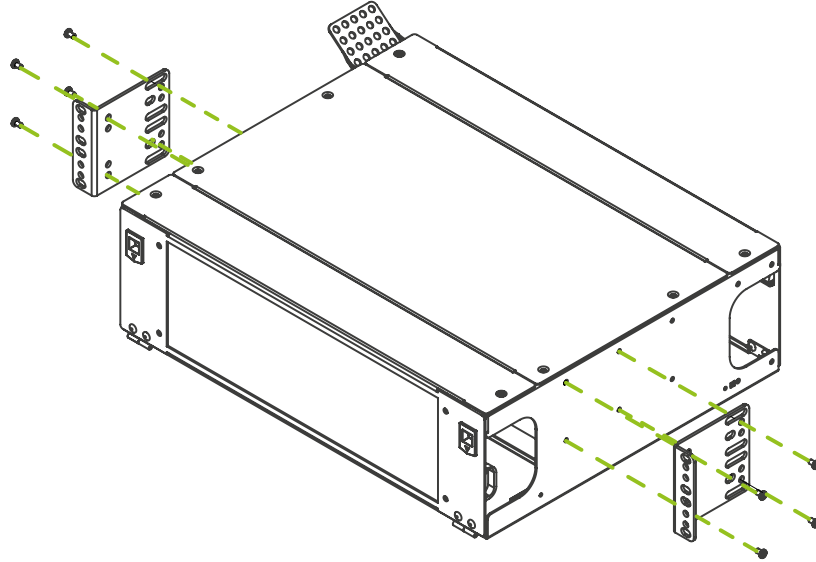
What You Will Need



Related Products

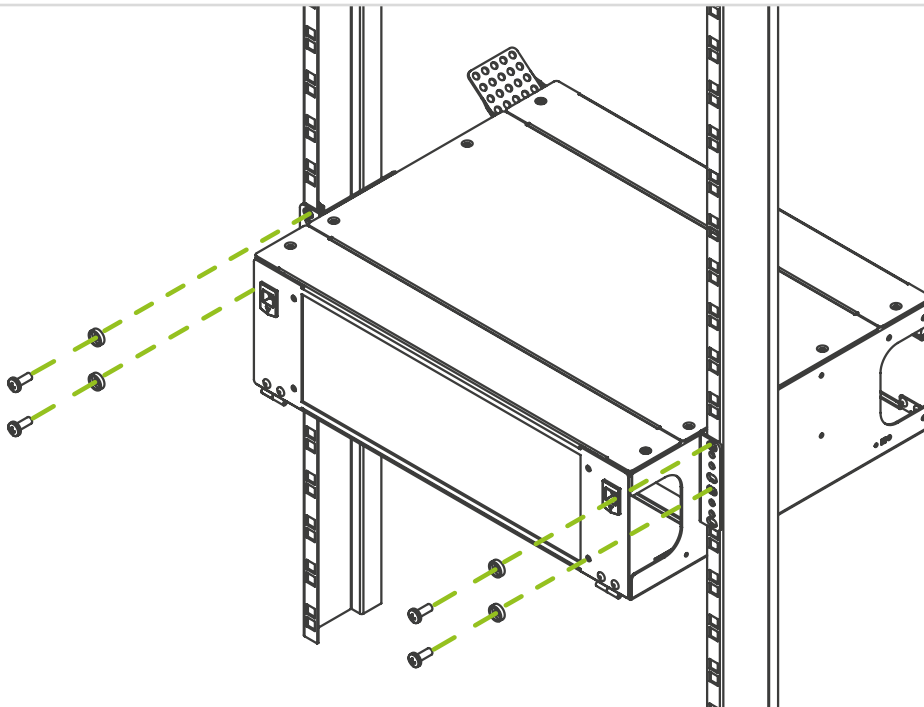


Panel Mounting



1

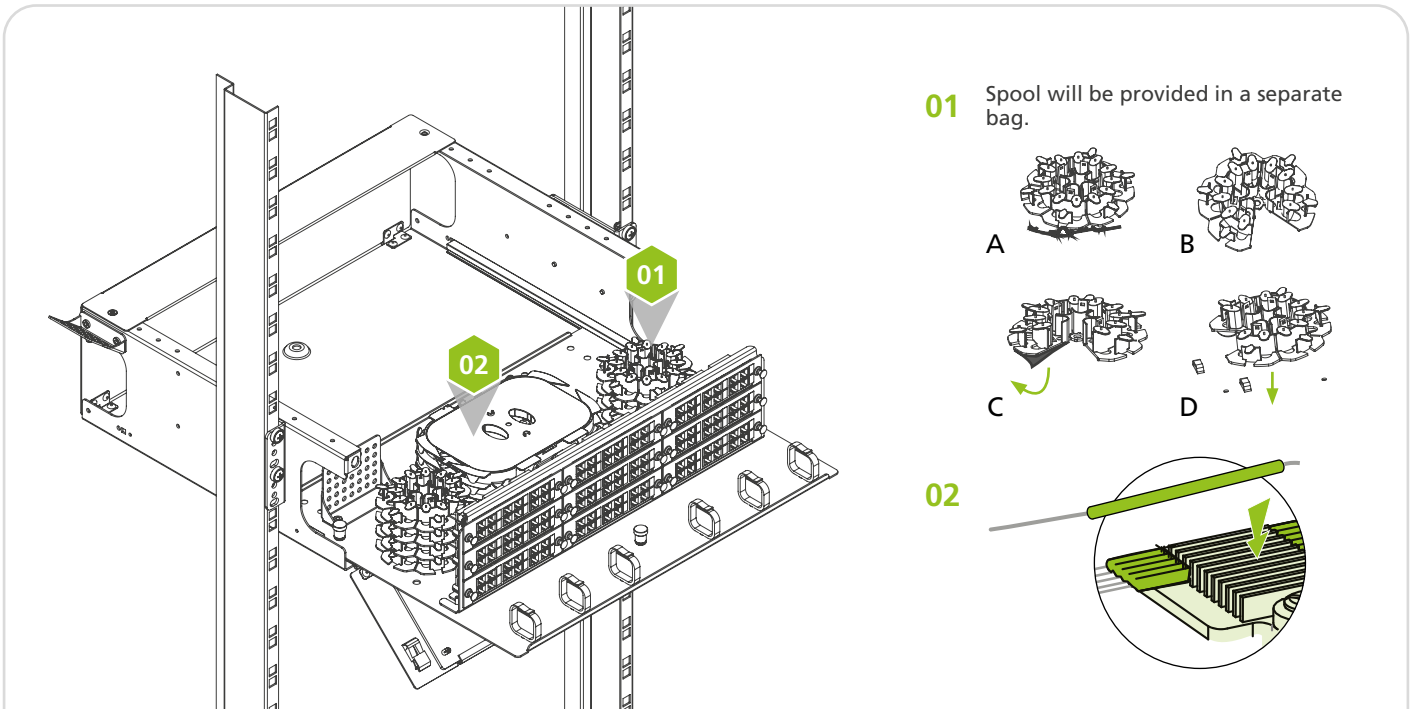
Once extracted from the box, attach the mounting brackets.



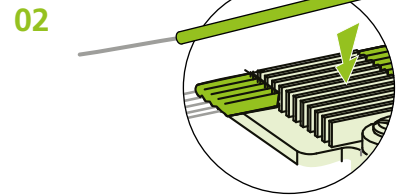
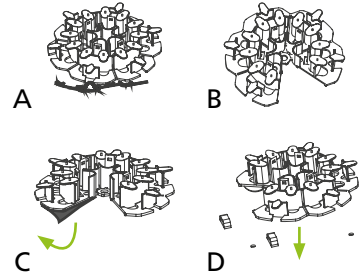
2

Secure the panel to the 19" profile in the position required using the four screws.
Note: Type of screw required may vary depending on the type of frame.

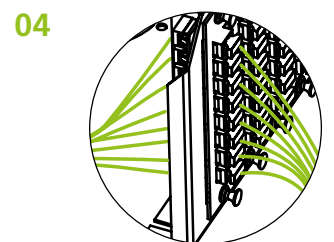
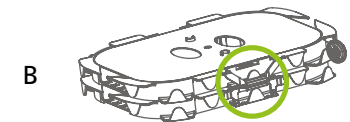
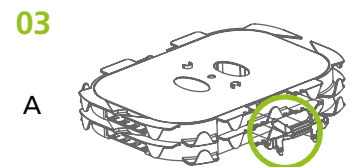
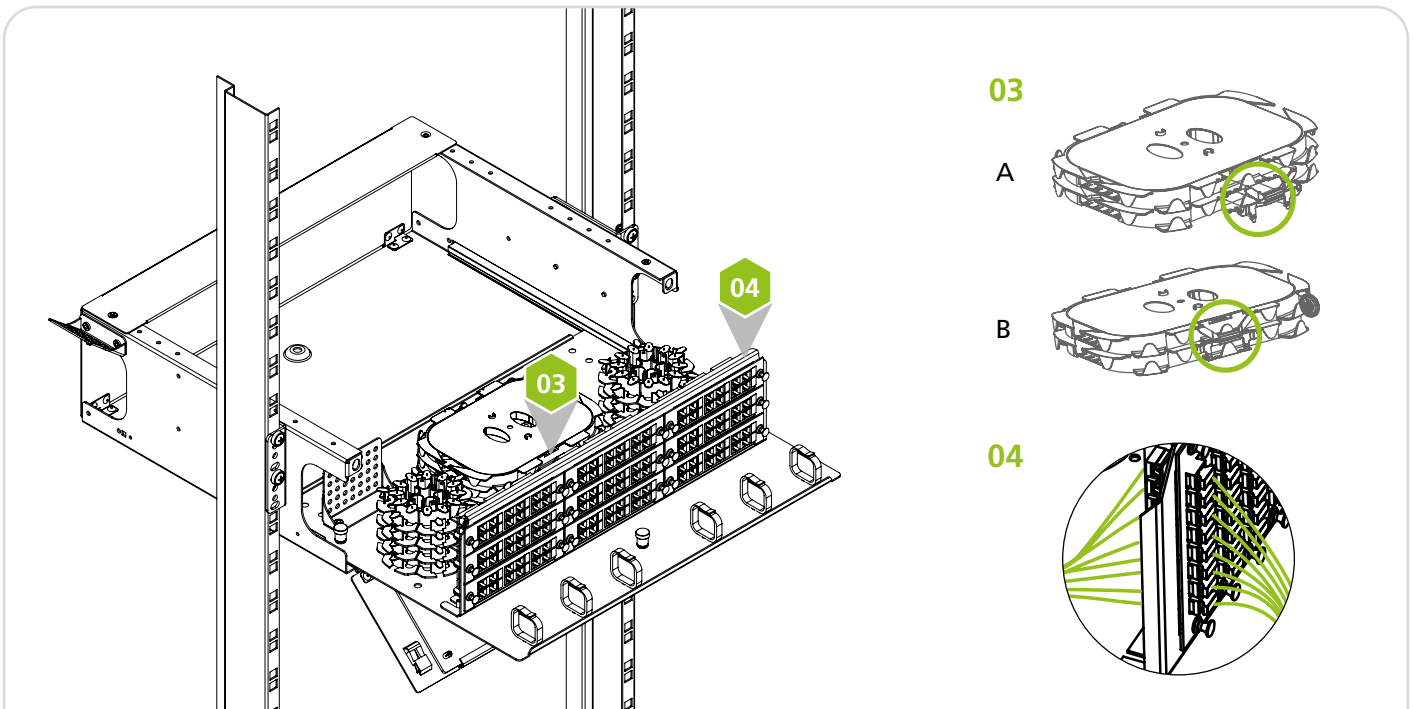
Fiber Cable Routing



01 Spool will be provided in a separate bag.



3 Load the pigtails and patch to the panel. Once complete, route the fibers into the splice tray passing by the spool. Note: Spools and trays are self-adhesive, remove cover paper before attaching to panel (01). After the fibers are addressed in the splice tray(s) and spools, secure the splice protectors in the splice protector holder (02).



4 Load the fibers and cables as shown above. To add more splice trays, simply close the lid on the first tray and secure a second tray on top - ensure the splice trays are properly secured in the tray hinge (03). Once secured, check the assemblies are in the correct position in the patch panel (04).

Thank you for choosing AFL Hyperscale

AFL Hyperscale reserves the right to make changes in this Installation Guide at any time without notice



AFL HYPERSCALE.

www.aflhyperscale.com

AFLHSAM3UPAN251119V2